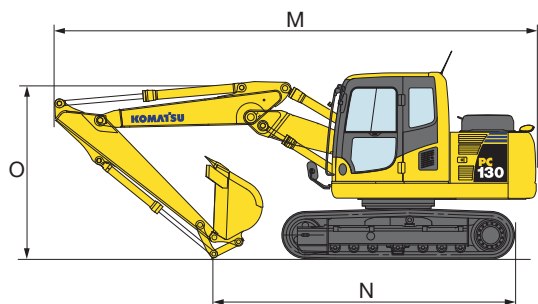
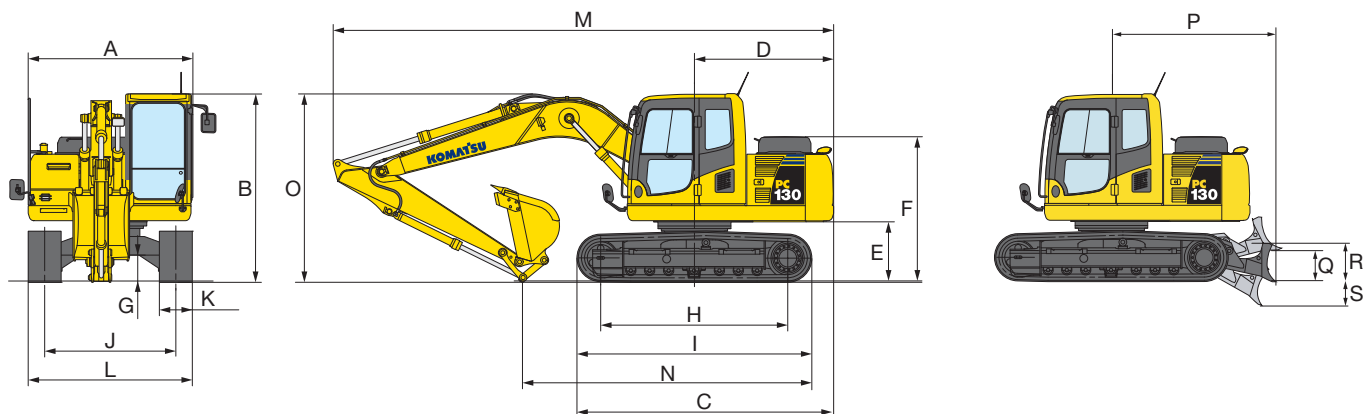


Dimensions & Performance Figures

MACHINE DIMENSIONS	PC130-8
A Overall width of upper structure	2.500 mm
B Overall height of cab	2.855 mm
C Overall length of basic machine	3.925 mm
D Tail length	2.110 mm
Tail swing radius	2.190 mm
E Clearance under counterweight	895 mm
F Machine tail height	2.190 mm
G Ground clearance	400 mm
H Tumbler center distance	2.880 mm
I Track length	3.610 mm
J Track gauge	1.990 mm
K Track shoe width	500; 600; 700 mm
L Overall track width with 500 mm shoe	2.490 mm
Overall track width with 600 mm shoe	2.590 mm
Overall track width with 700 mm shoe	2.690 mm



BLADE

P Distance, swing center to blade	2.490 mm
Q Height of blade	590 mm
R Blade, max. lifting height	470 mm
S Blade, max. digging depth	525 mm
Blade width	2.590 mm

TRANSPORT DIMENSIONS	MONO BOOM			TWO-PIECE BOOM		
Arm length	2.100 mm	2.500 mm	3.000 mm	2.100 mm	2.500 mm	3.000 mm
M Transport length	7.600 mm	7.590 mm	7.485 mm	7.425 mm	7.360 mm	7.220 mm
N Length on ground (transport)	4.670 mm	4.410 mm	4.280 mm	4.800 mm	4.610 mm	4.270 mm
O Overall height (to top of boom)	2.600 mm	2.875 mm	3.185 mm	2.545 mm	2.710 mm	3.095 mm